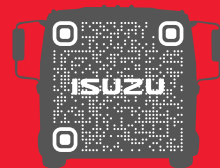


# ISUZU

**FOR ADDITIONAL  
INFORMATION ON ISUZU'S  
FULL LINE OF LOW CAB  
FORWARD TRUCKS  
PLEASE VISIT**

**WWW.ISUZUCV.COM  
OR CALL (866) 441-9638**



**SCAN TO ACCESS A DIGITAL COPY  
OF THE 2025 F-SERIES BROCHURE**

## ISUZU

All photographs, illustrations, equipment, and technical data in this brochure are based on the latest information available at the time of publication. Isuzu Commercial Truck of America, Inc. reserves the right to make changes at any time, without notice, in prices, colors, materials, equipment, specifications, and models, and to discontinue models or equipment. Isuzu vehicles are assembled from component parts manufactured by Isuzu Motors Limited, its affiliated companies, and by independent suppliers who manufacture such components to Isuzu's exacting standards for quality, performance, and safety. Some vehicles are shown with optional equipment. Some equipment is dealer installed. Visit your authorized Isuzu dealer for warranty and other details. Android Auto is a trademark of Google LLC. Apple Carplay is a registered trademark of Apple Inc. Bluetooth is a registered trademark of Bluetooth SIG, Inc. SiriusXM is a trademark of Sirius XM Radio Inc. HD Radio is a registered trademark of iBiquity. Facebook is a registered trademark of Meta. Instagram is a registered trademark of Meta. X is a trademark of X Corp. YouTube is a registered trademark of Google Inc. Neither Isuzu Commercial Truck of America, Inc. nor Isuzu Motors Limited are sponsored by or affiliated with these platforms. FleetValue is a registered trademark of Isuzu Commercial Truck of America, Inc. Copyright © 2024 Isuzu Commercial Truck of America, Inc.



## 2025 F-SERIES

# THE TRUCKS YOU TRUST FOR THE WORK YOU DO

Today, more than ever, you need a truck that's dependable and durable ... efficient and capable ... designed for minimal downtime and maximum productivity ... a truck you can rely on to get the job done.

Whether you manage a large fleet or are a single owner-operator, the 2024 Isuzu F-Series is your best choice for your next truck. Here's why.

**A Wide Range of Choices:** What will it be? Class 6 FTR or the Class 7 FVR ... wheelbases from 152 to 248 inches ... GVWRs at 25,950 or 33,000 pounds? The choice is yours.

**Expertise:** A predecessor company of what is now known as Isuzu Motors Limited produced its first truck in 1922. Over a century later, Isuzu Motors Limited is one of the most experienced truck builders in the world.

**Durability:** Every Isuzu F-Series truck has a Cummins B6.7 diesel engine.

**Productivity:** The low cab forward design of Isuzu trucks provides more cargo space within a given overall length plus best-in-class maneuverability. That means drivers can reach tighter places in less time. And the Isuzu Hexapod cab maximizes interior space and optimizes comfort.

**Low Cost of Ownership:** Isuzu's available Priority Service Maintenance Program allows you to pay in advance for your maintenance needs—allowing you to budget your transportation costs up front.

**Peace of Mind:** Isuzu trucks are backed with warranties that demonstrate our belief in our products, and our extended warranties can help you protect your investment for up to five years or 250,000 miles.

Isuzu has been the best-selling low cab forward truck in America every year since 1986. We invite you to find out for yourself what has inspired such loyalty—and why now, more than ever, Isuzu trucks are the trucks you trust for the work you do.



# THE POWER OF TEAMWORK

As one of the first car builders in Japan, Isuzu Motors Limited has developed strategic alliances with other companies to make sure its products meet and exceed the needs of its customers. There is no greater evidence of the benefits of this inclusive strategy than the line of 2025 Isuzu F-Series trucks.

## **CUMMINS B6.7**

Isuzu F-Series trucks are powered by the Cummins B6.7, the most popular engine ever built by Cummins. Over a span of 40 years of development and improvement, well over 12 million Cummins B-series engines have been sold. This historic accomplishment is a testament to the engine's technological advances and durability in the medium-duty segment.

This 6.7-liter turbocharged inline 6-cylinder diesel engine puts out 260 horsepower and 660 lb.-ft. of torque through a gearbox provided by another valued partner, an Allison 2000-series RDS automatic transmission. This combination makes for a seamless transfer of power from the engine to the asphalt. The powerful engine and smooth shifting six-speed transmission bolster the driving experience by easily moving heavier payloads through urban environments and over the road.

## **THE CHOICES ARE YOURS**

Available in both Class 6 and 7, Isuzu F-Series trucks' low cab forward design gives owners and drivers the maneuverability, visibility, power, and payload to move their cargo with ease.

How much truck do you need?

- Three models—the Class 6 FTR (25,950 lbs. GVWR), Class 6 FVR Derate (25,950 lbs. GVWR) and Class 7 FVR (33,000 lbs. GVWR)
- Eight wheelbases, from 152 to 248 inches, accommodating bodies from 14 to 30 feet in length
- 50- or 100-gallon fuel tank, based on wheelbase
- Optional air suspension and low-pro tires

As with all Isuzu low cab forward trucks, F-Series models feature superb maneuverability, visibility, and comfort. Add in the rugged Isuzu chassis, driver-friendly Hexapod cab, the Cummins/Allison powertrain and Isuzu's long-standing reputation for a low total cost of ownership, and it becomes clear. An Isuzu F-Series truck isn't just a great choice—it's the right choice.





# F-SERIES HIGHLIGHTS



## LED LIGHTS

LED headlamps and daytime running lights improve safety and styling. With brighter illumination, drivers have better visibility in nighttime conditions and trucks are more easily visible to pedestrians and oncoming traffic.



## AIR SUSPENSION (OPTIONAL)

Isuzu F-Series trucks are available with optional air suspension. The air compressor puts out 17 CFM to quickly fill the air tanks and fill the suspension's air bags. This option is popular for customers hauling fragile cargo or who need to lower the chassis height for loading and unloading.



## ENHANCED INTERIOR

The Isuzu F-Series trucks have dual-colored seats and a two-tone gray interior design that create a comfortable cabin for passengers.



## CUMMINS B6.7 ENGINE

The B6.7 is a 6-cylinder diesel engine that generates 260 horsepower and 660 lb.-ft. of torque. This power and torque combination easily moves heavier payloads through urban environments and on the highway.



## ALLISON RDS TRANSMISSION®

The Allison Rugged Duty Series™ transmission was built for the medium-duty market. Its proven durability and reliability provide greater uptime with a lower cost of operation.



## EXHAUST

The Cummins Single Module After-Treatment has a linear design to help keep the frame rails clean. It incorporates the diesel particulate filter (DPF), selective catalyst reduction (SCR), exhaust cooler, and electronic exhaust restriction into a compact single-piece unit.



## WHEELS / TIRES

Isuzu F-Series trucks are equipped with standard 11R22.5 tires on steel wheels. Customers can opt for aluminum wheels (shown) and, on the Class 6 FTR, choose the optional low-pro tires that lower the chassis for special applications like rollback bodies.

# FTR

CLASS 6



STANDARD CAB

<b>GVWR</b> 25,950 lb.	<b>GCWR</b> 30,000 lb.	<b>PAYLOADS</b> 14,505- 16,264 lb.
<b>CUMMINS</b> <b>B6.7L</b> 260 HP 660 LB-FT TORQUE	<b>ALLISON®</b> 2550 RDS TRANSMISSION INCLUDES PARK PAWL	

# FVR

CLASS 7



STANDARD CAB

<b>GVWR</b> 33,000 lb.	<b>GCWR</b> 33,000 lb.	<b>PAYLOADS</b> 21,455- 22,989 lb.
<b>CUMMINS</b> <b>B6.7L</b> 260 HP 660 LB-FT TORQUE	<b>ALLISON®</b> 2500 RDS TRANSMISSION	

# FVR DERATE

CLASS 6

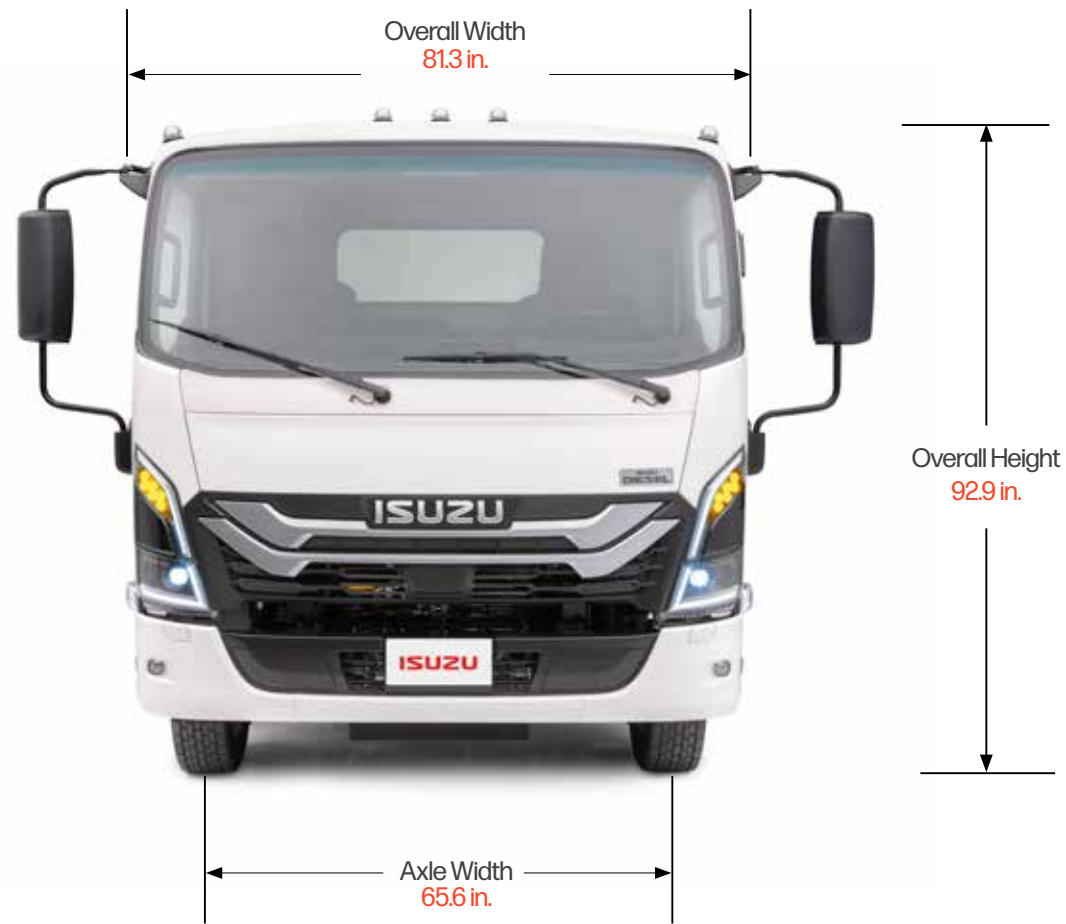


STANDARD CAB

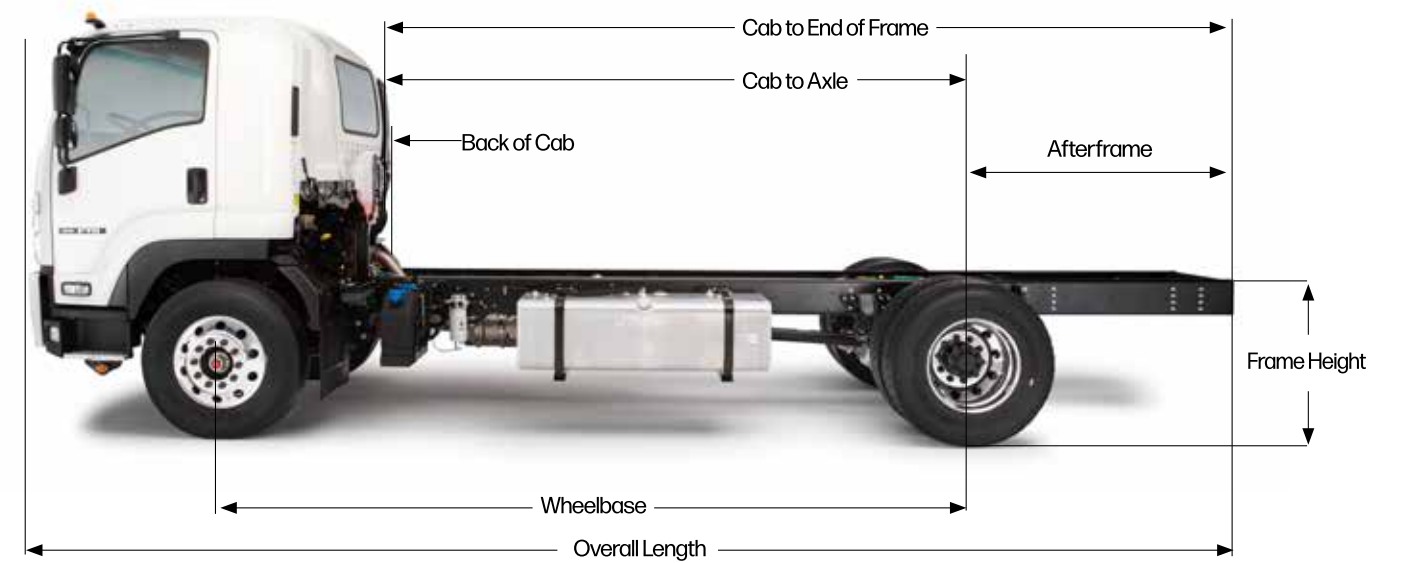
<b>GVWR</b> 25,950 lb.	<b>GCWR</b> 33,000 lb.	<b>PAYLOADS</b> 14,405- 15,939 lb.
<b>CUMMINS</b> <b>B6.7L</b> 260 HP 660 LB-FT TORQUE	<b>ALLISON®</b> 2500 RDS TRANSMISSION	



# DIMENSIONS & CAPACITIES



Wheelbase (in.)	Cab to Axle (in.)	Cab to End of Frame (in.)	Back of Cab (in.)	OAL (in.)	OAW (in.)	Frame Rail Width (in.)	Afterframe	Body Length (ft.)
152	127	1929	10.4	2744	93.5	33.5	65.9	14-16
170	145	220	10.4	3015	93.5	33.5	75	16-18
188	163	247	10.4	3285	93.5	33.5	84.1	18-20
200	175	2649	10.4	3464	93.5	33.5	90	20-22
212	187	2831	10.4	3646	93.5	33.5	96.1	22-24
224	199	301	10.4	3825	93.5	33.5	102	22-26
236	211	3191	10.4	4006	93.5	33.5	108.1	24-28
248	223	337	10.4	4185	93.5	33.5	114	26-30



## FTR

## FVR DERATE

## FVR

WB (in.)	Curb Weight (lbs.)	Body Payload (lbs.)	Model Codes	WB (in.)	Curb Weight (lbs.)	Body Payload (lbs.)	Model Codes	WB (in.)	Curb Weight (lbs.)	Body Payload (lbs.)	Model Codes
152	9,686	16,264	MT1	152	10,011	15,939	MW1	152	10,011	22,989	MV1
170	9,764	16,186	MT2	170	10,089	15,861	MW2	170	10,089	22,911	MV2
188	9,947	16,003	MT3	188	10,605	15,346	MW3	188	10,605	22,396	MV3
200	10,191	15,759	MT4	200	10,726	15,225	MW4	200	10,726	22,275	MV4
212	10,280	15,671	MT5	212	10,849	15,102	MW5	212	10,849	22,152	MV5
224	10,524	15,427	MT6	224	10,970	14,981	MW6	224	10,970	22,031	MV6
236	10,767	15,184	MT7	236	11,092	14,859	MW7	236	11,092	21,909	MV7
248	10,888	15,062	MT8	248	11,213	14,737	MW8	248	11,213	21,787	MV8

## STANDARD TIRES

FH = Frame height (unladen) at E.O.F. (in.)	
Multi-Leaf	42.5
Air	38.2

OAH Standard Tires Multi-leaf/Air (in.)	
112/108.6	

## FTR LOW PRO TIRES

FH = Frame height (unladen) at E.O.F. (in.)	
Multi-Leaf	39.9
Air	35.9

FTR OAH Low Pro Tires Multi-leaf/Air (in.)	
110.2/107	

# STANDARD WARRANTY

## NEW VEHICLE LIMITED WARRANTY

Warranty Limitations: Time or Mileage, Whichever Occurs First

New Truck Warranty	Time in Years	Vehicle Miles
Basic	3	Unlimited
Engine - Cummins*	3	Unlimited
Transmission - Allison**	3	Unlimited
Drive Axle Driveshaft Front Axle I-Beam Crossmembers Flywheel Housing	3	Unlimited
Frame Rails	3 5†	Unlimited Unlimited†
Corrosion (Rust Through)	4	Unlimited
Roadside Assistance	3 5††	Unlimited 100,000††
Emission Warranty	Time in Years	Vehicle Miles
Federal Emission / Defect†††	5	100,000
CARB Emission / Defect†††	5	150,000
GHG Emission	5	100,000
Tire	2	24,000

\*The Cummins engine is warranted separately by Cummins.

\*\*The Allison automatic transmission is warranted separately by Allison Transmission.

†After 3 years, coverage is 50% labor and parts for up to 5 years.

††Tows related to emissions issues may be covered for up to 5 years or 100,000 miles (whichever occurs first).

†††Emission components are covered by either Isuzu or Cummins; see your Isuzu dealer for details.



The warranty coverages are determined by the mileage of the vehicle and the number of years from the delivery date. The warranty coverages are limited by whichever occurs first. Please see your authorized Isuzu dealer for warranty details.



# ACCESSORIES



## KEYLESS ENTRY

Conveniently locks and unlocks all cab doors at the push of a button. Two transmitters included.



## BACK-UP ALARM

Alarm sounds when the vehicle is placed in reverse. Audible warning alerts any nearby people that the vehicle is backing up.



## BLOCK HEATER & RECEPTACLE

Warms engine coolant for more efficient cold engine start up. Reduces the need for prolonged engine warm-up.



## AIR SUSPENSION

This option is popular for customers hauling fragile cargo or who need to lower the chassis height for loading and unloading.



## TOUCHSCREEN AUDIO SYSTEM

The Alpine iLX-407 is equipped with a convenient touchscreen display and provides 200 watts of sound. This versatile system works with Apple CarPlay® and Android Auto™ which give you access to a number of smartphone apps including navigation. It is also equipped with built-in Bluetooth®, SiriusXM connectivity (antennae and subscription required), an HDMI input, an HD Radio™ tuner, and more. A USB port and AUX input are also included.

A backup camera is also available with the system. When ordering the audio system, select this upgrade to enhance your driving experience and safety.



## ALUMINUM WHEELS

Alcoa clean buff aluminum wheels. Available in 4-wheel or 6-wheel configurations.



## SEAT COVERS

Designed and tailored for a custom fit, these seat covers help reduce seat wear and tear to protect your investment while enhancing the look and feel of the cabin.



## POWER / HEATED MIRRORS

Heated flat and convex mirrors with or without dual remote controls. Heated mirrors prevent fogging and ice collection with a quick push of a cab switch. For added convenience, available remote controls allow the driver to quickly adjust the angle of the mirrors.



## CHROME GRILLE

Chrome-accented grille enhances styling.



## LOW-PRO TIRES

Low-pro tires lower the chassis for special applications like rollback bodies. Available only on the Class 6 FTR.



## MOBILEYE®

This passive driver-assistance system provides alerts and warnings for enhanced safety. The system incorporates Forward Collision Warning, Pedestrian Collision Warning, Lane Departure Warning, and Headway Monitoring and Warning.



## HIGH-VISIBILITY SEAT BELTS

High-visibility orange seatbelts provide quick visual verification that seat belts are being worn to conform with safety regulations. (Driver and right passenger seat only.)



## FIRE EXTINGUISHER/TRIANGLE KIT

Meets DOT specifications for Regulation 393.5. Provides additional driver safety. Rear cargo organizer was designed specifically to accommodate the custom engineered box.

## Other Optional Equipment:

- Spare Keys (2 additional keys)
- LED Lighting Package
- AGM Batteries (825 CCA x 2)
- Engine Oil Pan Heater with Receptacle
- 102-in. Side Mirror Bracket
- Emergency Engine Shutdown System
- Engine Idle Shutdown (3 or 5 minutes)
- Speed Limiting to 58, 65, 68 or 70 mph

# THE SUPPORT YOU DESERVE FOR THE TRUCKS YOU TRUST



Call (866) 441-9659 – 24/7/365 – It is as simple as that when you're in need. Roadside Assistance is standard on all new Isuzu trucks. It covers tows, jump starts, lock outs, and fueling (owner is responsible for cost of fuel). Please see an authorized Isuzu dealer for details.



Specifically designed replacement parts developed for Isuzu trucks are approved for all warranty repairs and carry a one-year/unlimited-mile warranty. See an Isuzu dealer for warranty details.



Preventive maintenance increases your operating efficiency and maximizes your fuel economy. This comprehensive program protects you against increasing labor and parts costs for up to five years. PSMP also guarantees you "Priority" treatment during your service visits and when roadside assistance is needed. And, any unused portion of your PSMP can be rolled into your next purchase, transferred to the truck's next owner, or refunded to you.



Isuzu FleetValue Parts are priced to compete with aftermarket parts—but have been engineered to meet Isuzu's stringent specifications and exacting standards for quality, performance, safety, and reliability. And they carry a one-year, unlimited-mile warranty.



Isuzu Finance of America offers exclusive programs, like the Isuzu iLease, through authorized Isuzu dealers nationwide. The iLease is by far the most cost-effective option for qualifying customers, allowing them to take advantage of low monthly payments. Ask your Isuzu dealer for more information on Isuzu Finance offerings that will best fit your business needs!

